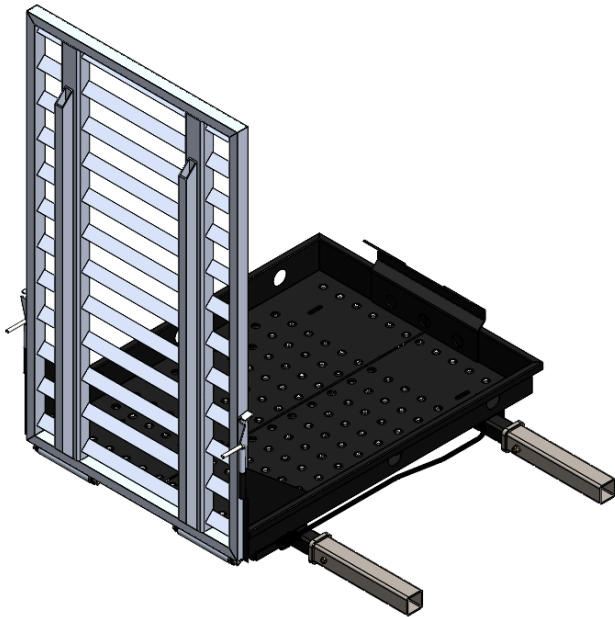


Installation of Receivers for TC460 Carrier

STEP 1

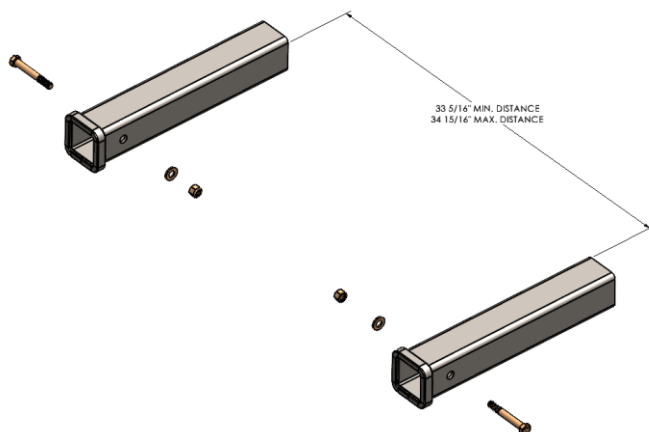
Shown below is the TC460 Carrier. With installation kit. Locate the (2) Carrier Receivers (P/N XXXXX) as shown in Step 2.



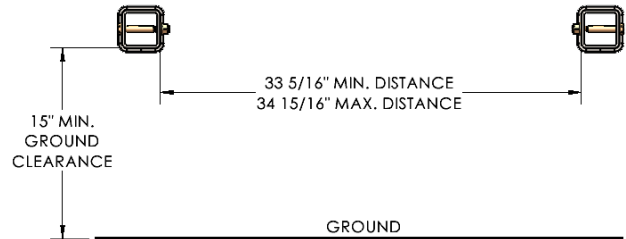
STEP 2

TC460 Carrier Receivers (P/N XXXXX) should be welded to a hitch or frame of truck with a minimum distance of 33 5/16" with a maximum distance of 34 15/16" apart side to side and centered as shown below.

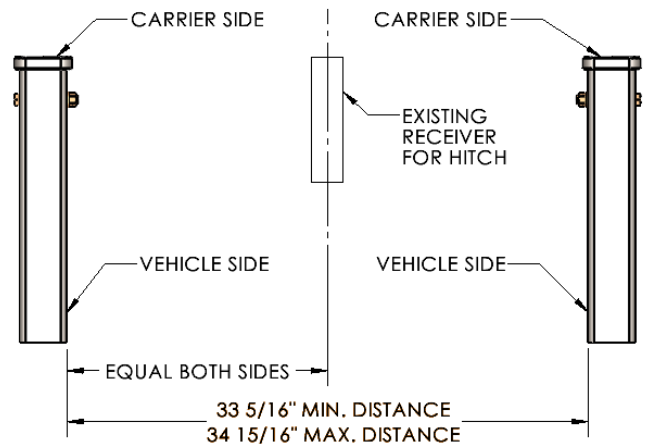
NOTE: All welding should be completed by a certified welder to carry a load equal to 2000 lbs.



NOTE: Be sure to orientate the bolt pattern properly before welding. Bolt holes should be horizontal and parallel to the ground as shown below.



STEP 3



STEP 4

