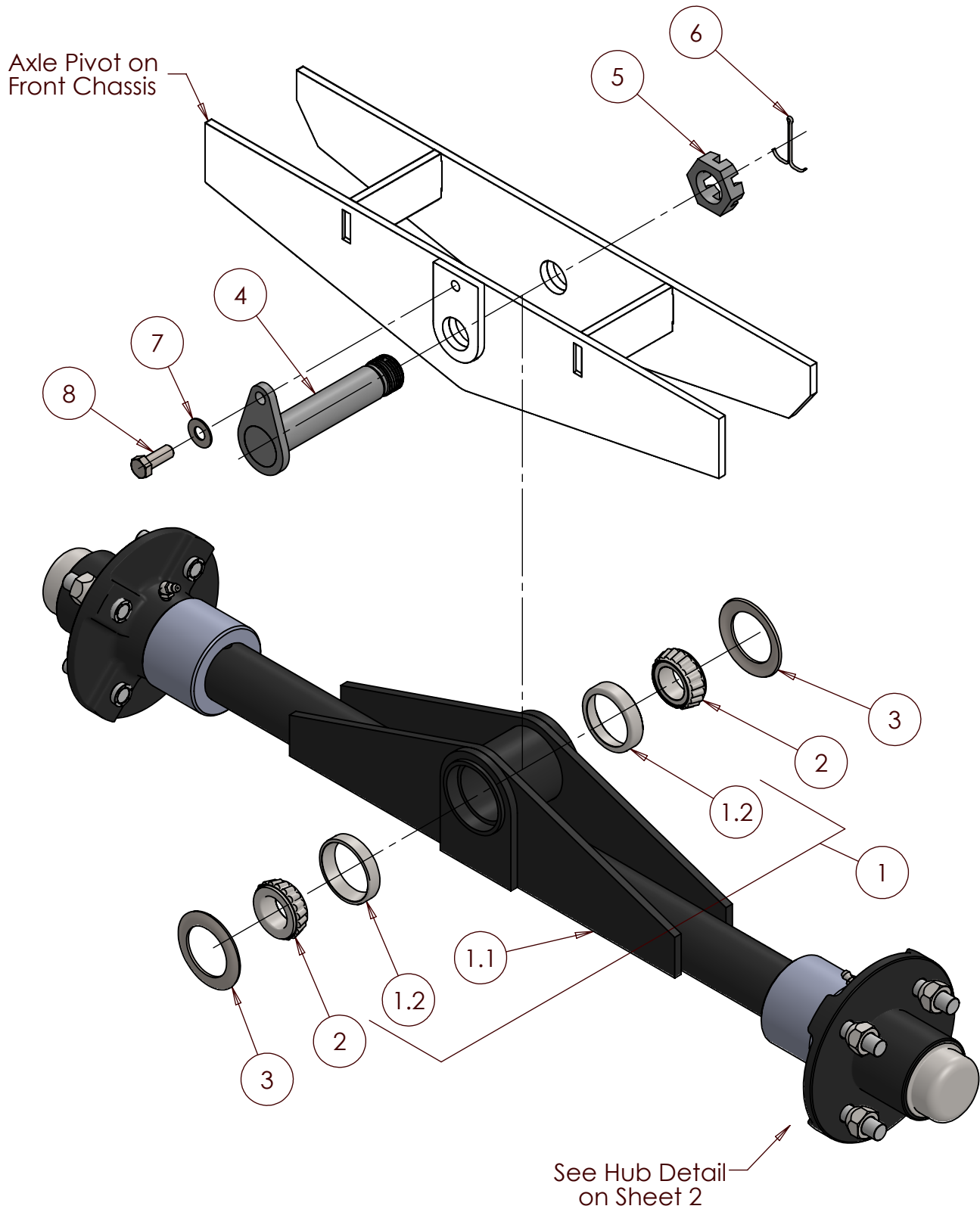
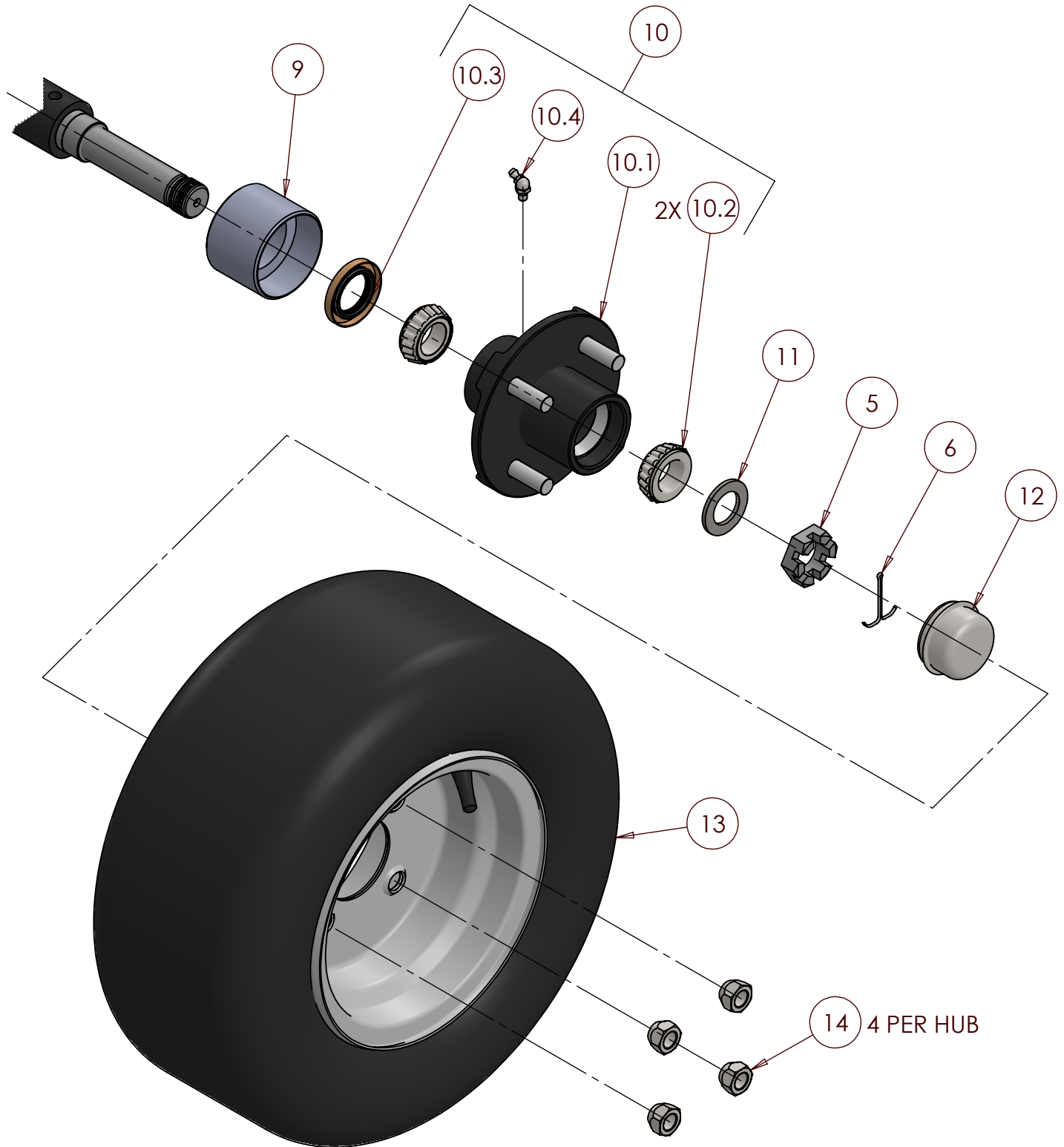


# TR360 AND TR460 FRONT AXLE WITH PIVOT



# TR360 AND TR460 FRONT AXLE WITH PIVOT



Hub/Wheel Detail  
(Typical LH & RH Hubs)

## **TR360 AND TR460 FRONT AXLE WITH PIVOT**

| Item | Qty | Part Number | Description   |
|------|-----|-------------|---|
| 1    | 1   | 3606425     | Assy, Front Axle, TR360                                 |
| 1.1  | 1   | 3606429     | Weldment, Front Axle, TR360                             |
| 1.2  | 2   | 3606014     | Bearing Race, L44610                                    |
| 2    | 2   | 3606021     | Tapered Roller Bearing, 1" Shaft, L44643                |
| 3    | 2   | 3606625     | Pivot Washer Seal, TR360                                |
| 4    | 1   | 3606028     | Assy, Axle Pivot Shaft                                  |
| 5    | 3   | 3606018     | Castle Nut, Slotted, 1"-14 THRD                         |
| 6    | 3   | 3606019     | Cotter Pin, 3/32" x 2" Lg                               |
| 7    | 1   | 3601028     | Flat Washer, 3/8" SST                                   |
| 8    | 1   | 3601035     | Hx Cap Screw, 3/8"-16 x 1" Lg, SST                      |
| 9    | 2   | 3606413     | Protective Cover, Wheel Hub Bearing                     |
| 10   | 2   | 3606022     | Assy, Front Wheel Hub w Seal & Bearings                 |
| 10.1 | 1   | 3606005     | Front Wheel Hub w Studs & Brg Races                     |
| 10.2 | 2   | 3606021     | Tapered Roller Bearing, 1" Shaft, L44643                |
| 10.3 | 1   | 3605027     | Oil Seal, 1-1/4 x 2 x 1/4 w/Coating                     |
| 10.4 | 1   | 3601059     | Grease Fitting, 1/4"-28 Tapered Thrd, 65 Deg Ball Check |
| 11   | 2   | 3606025     | Spindle Washer, 1-11/16" OD, 1" Shaft                   |
| 12   | 2   | 3606020     | Grease Cap, 1" (2" OD) w Clear Chromate Dip             |
| 13   | 2   | 3606030     | Tire Assy, 16 x 6.50-8, Super Turf Kenda K500           |
| 14   | 8   | 3606050     | Lug Nut, 1/2"-20, Zinc Pltd                             |