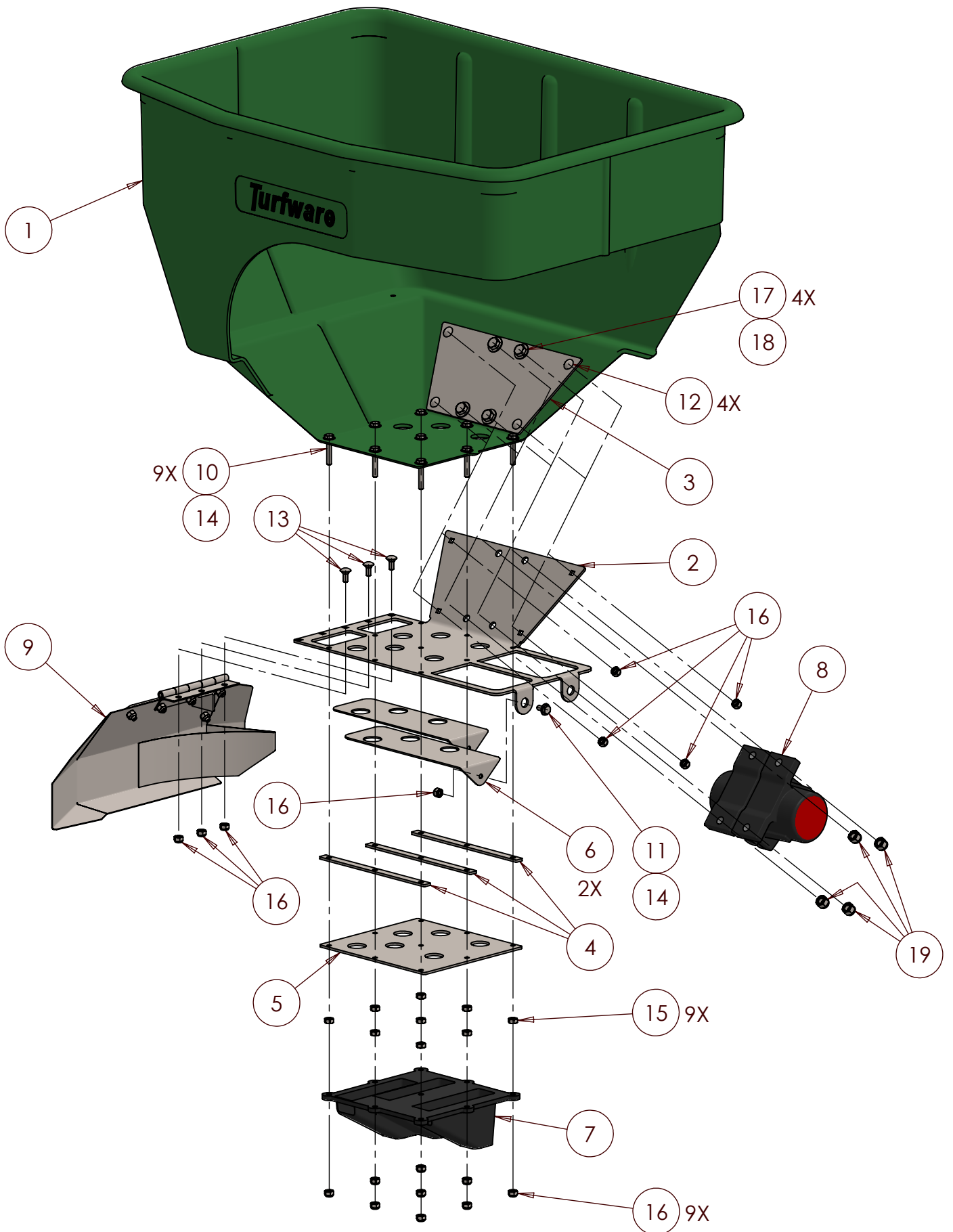


TR360 AND TR460 HOPPER COMPONENTS



TR360 AND TR460 HOPPER COMPONENTS

Assy, STD Hopper ... PN 3603305			
Item	Qty	Part Number	Description
1	1	3603300	STD Hopper, 250lb Capacity
2	1	3608651	Plate, Main Hopper Slide
3	1	3608595	Plate, Agitator Backing
4	3	3608652	Spacer, Hopper Slide
5	1	3608653	Diverter Plate
6	2	3608605	Hopper Lower Slide
7	1	3603007	Flow Diverter, Granular Hopper
8	1	3604019	Hopper Agitator (4 Bolt)
9	1	3608626	Assy, Deflector Shield w/Hinge
10	9	3601016	Hx Cap Screw, 1/4"-20 x 1-1/2" Lg, SST
11	1	3601015	Hx Cap Screw, 1/4"-20 x 9/16" Lg, SST
12	4	3601083	Carriage Bolt, 1/4"-20 x 1" Lg, SST
13	3	3601094	Carriage Bolt, 1/4"-20 x 5/8" Lg, SST
14	10	3601011	Flat Washer, 1/4" SST
15	9	3601018	Hx Nut, 1/4"-20, SST
16	17	3601017	Lock Nut, 1/4"-20 Nylon Insert, SST
17	4	3601036	Hx Cap Screw, 3/8"-16 x 2" Lg, SST
18	4	3601028	Flat Washer, 3/8" SST
19	4	3601037	Lock Nut, 3/8"-16 Nylon Insert, SST