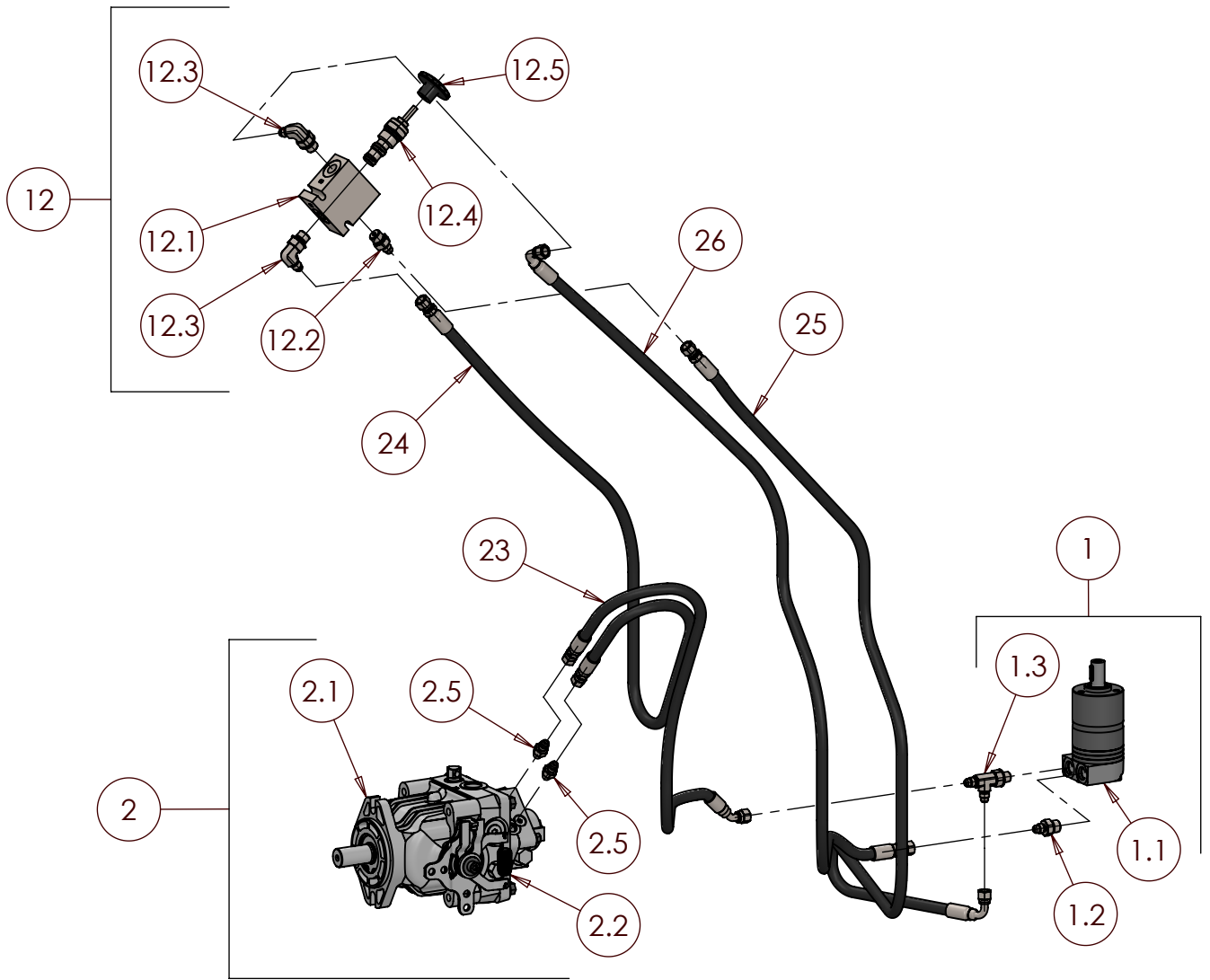
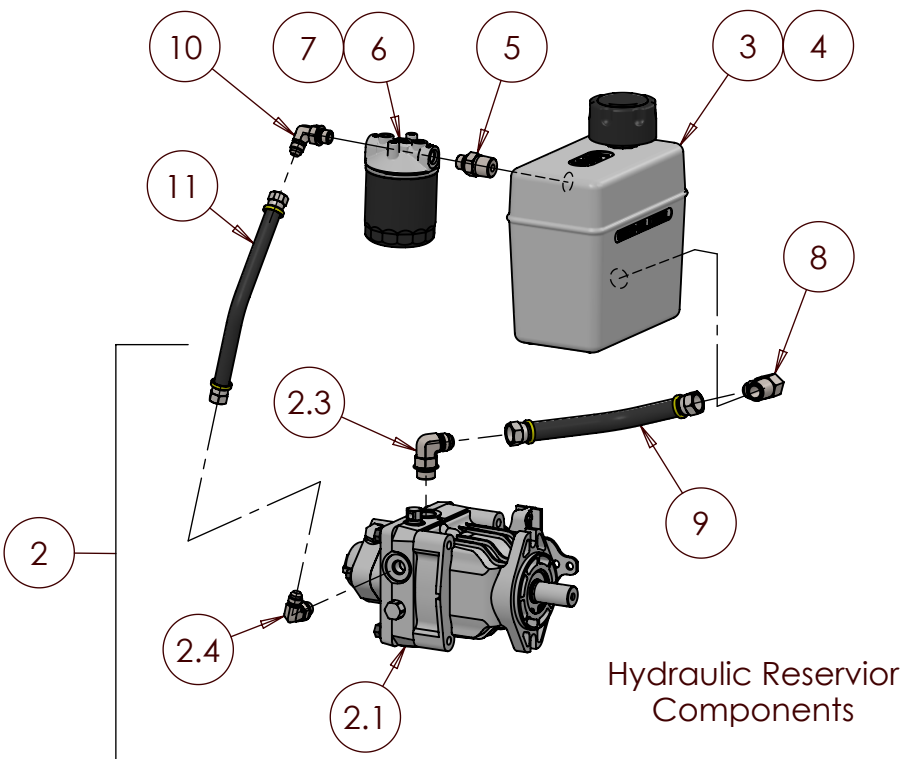


TR360 / TR460 HYDRAULIC SYSTEM

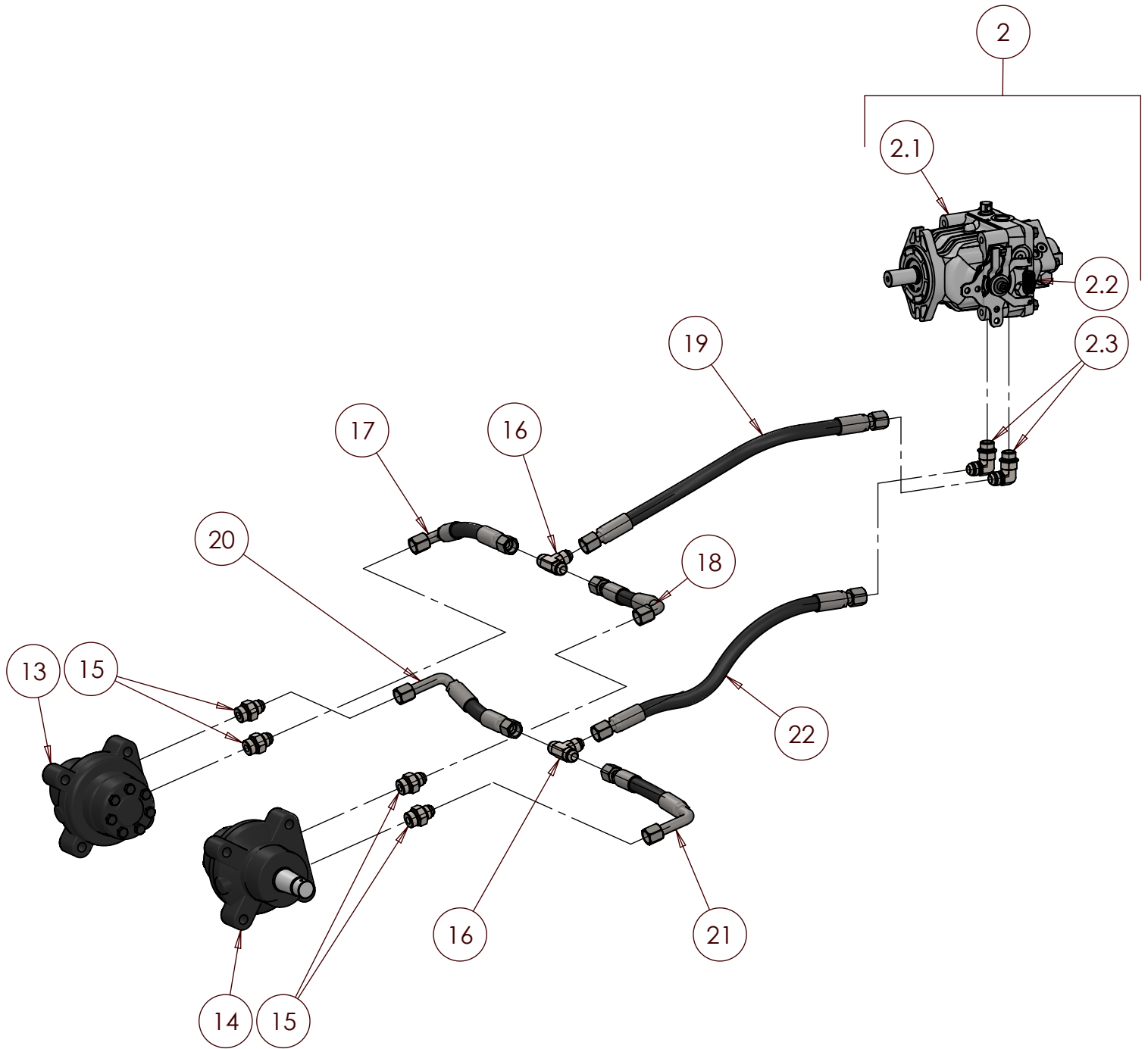


Impeller Drive Circuit



Hydraulic Reservoir Components

TR360 / TR460 HYDRAULIC SYSTEM



Main Drive Circuit

TR360 / TR460 HYDRAULIC SYSTEM

Item	Qty	Part Number	Description
1	1	3609003	Impeller Motor Assembly w Fittings
1.1	1	3605010	Hydraulic Impeller Motor
1.2	1	3605051	Adapter, 9/16"-18 ORB x 1/4" Flared (37deg) STL
1.3	1	3605042	Tee Fitting, 9/16"-18 ORB x 1/4" x 1/4" Flared (37deg) STL
2	1	3609905	Hydro-Gear Drive Assembly w Fittings
2.1	1	3605006	Hydro-Gear Drive & Aux Pump w Black Return Spring
2.2	1	3609902	Hydro-Gear Return Spring (Black)
2.3	3	3605058	Elbow 90deg, 3/4"-16 ORB x 1/2" Flared (37deg) STL
2.4	1	3605056	Elbow 90deg, 9/16"-18 ORB x 3/8" Flared (37deg) STL
2.5	2	3605062	Adapter, 7/16"-20 ORB x 1/4" Flared (37deg) STL
3	1	3609915	Hydraulic Oil Tank
4	1	3605023	Hydraulic Reservoir Cap
5	1	3605057	Adapter, 9/16"-18 ORB x 1/2" NPT (Male) STL
6	1	3605025	Filter Head, Hydraulic System
7	1	3605024	Spin-On Filter, Hydraulic System
8	1	3605059	Elbow 90deg, 1/2" NPT (Male) x 1/2" Flared (37deg) STL
9	1	3605008	Hydro Hose Assy (Pump Supply from Tank) 1/2" ID Low Pressure
10	1	3605056	Elbow 90deg, 9/16"-18 ORB x 3/8" Flared (37deg) STL
11	1	3605009	Hydro Hose Assy (Pump Return to Tank) 3/8" ID Low Pressure
12	1	3609005	Impeller Control Valve Assembly w Fittings
12.1	1	3605020	Impeller Control Valve
12.2	1	3605051	Adapter, 9/16"-18 ORB x 1/4" Flared (37deg) STL
12.3	2	3605050	Elbow 90deg, 9/16"-18 ORB x 1/4" Flared (37deg) STL
12.4	1	3609108	Impeller Control Valve Cartridge
12.5	1	3605022	Impeller Control Valve Knob
13	1	3605015	Wheel Motor (LH) Danfoss OMEW 160 CW
14	1	3605016	Wheel Motor (RH) Danfoss OMEW 160 CCW
15	4	3605052	Adapter, 7/8"-14 ORB x 1/2" Flared (37deg) STL
16	2	3605053	Tee Union, 1/2" x 1/2" x 1/2" Flared (37deg) STL
17	1	3605060	Hydro Hose Assy (LH Wheel Motor Lower to Tee) 1/2" ID x 9" Lg, Short Elbow
18	1	3605037	Hydro Hose Assy (RH Wheel Motor Upper to Tee) 1/2" ID x 7-1/2" Lg, Short Elbow
19	1	3605061	Hydro Hose Assy (Pump Right to Wheel Motor Tee) 1/2" ID x 19-1/8" Lg
20	1	3605032	Hydro Hose Assy (LH Wheel Motor Upper to Tee) 1/2" ID x 7-1/2" Lg, Long Elbow
21	1	3605034	Hydro Hose Assy (RH Wheel Motor Lower to Tee) 1/2" ID x 9" Lg, Long Elbow
22	1	3605030	Hydro Hose Assy (Pump Left to Wheel Motor Tee) 1/2" ID x 17-3/4" Lg
23	1	3605036	Hydro Hose Assy (Pump to Impeller Motor Tee) 1/4" ID x 36" Lg
24	1	3605040	Hydro Hose Assy (Pump to Control Vlv Port #1) 1/4" ID x 40" Lg
25	1	3605038	Hydro Hose Assy (Impeller Motor Tee Branch to Control Vlv Port #2) 1/4" ID x 50-1/2" Lg
26	1	3605047	Hydro Hose Assy (Impeller Motor Conn to Control Vlv Port #3) 1/4" ID x 47-1/4" Lg