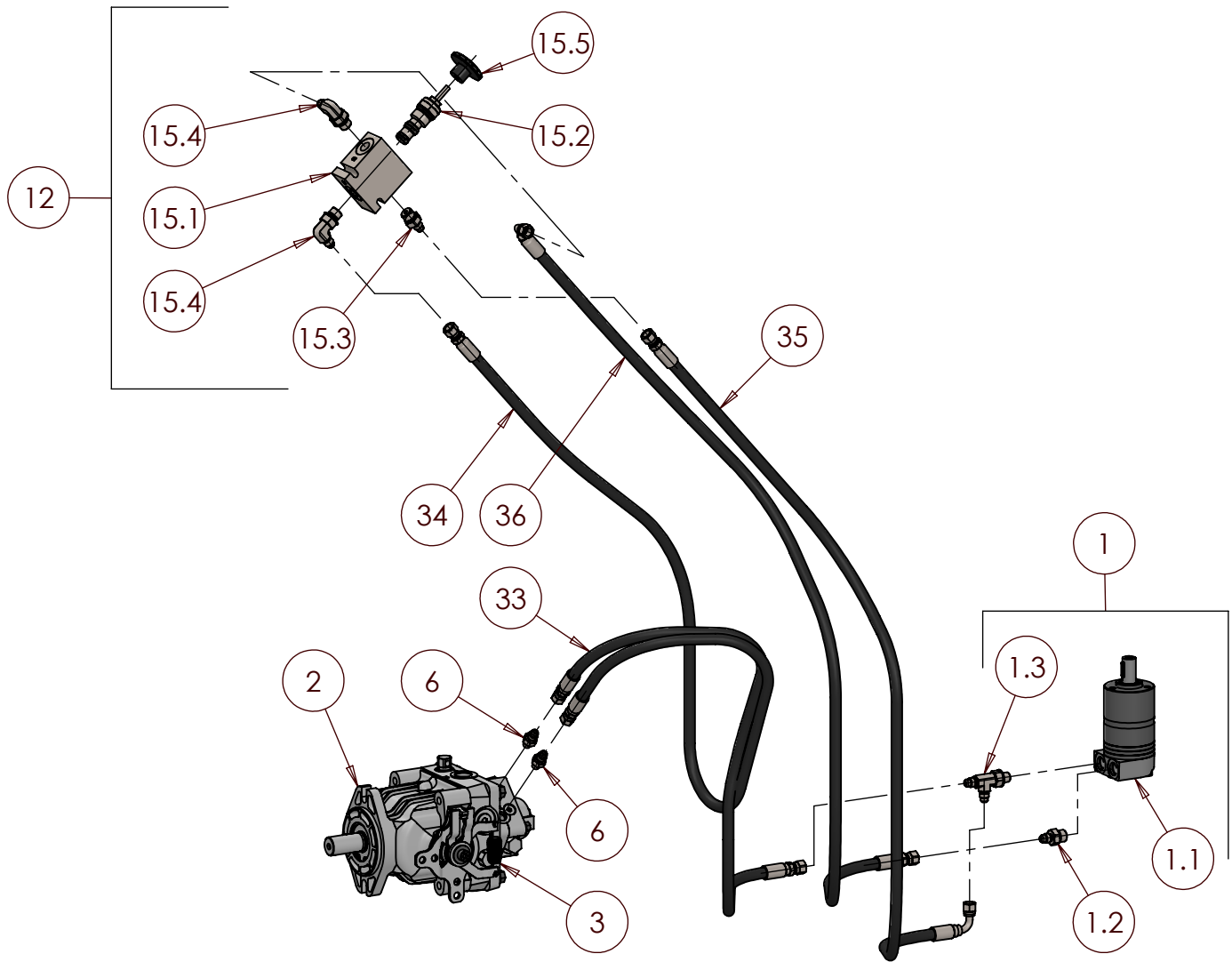
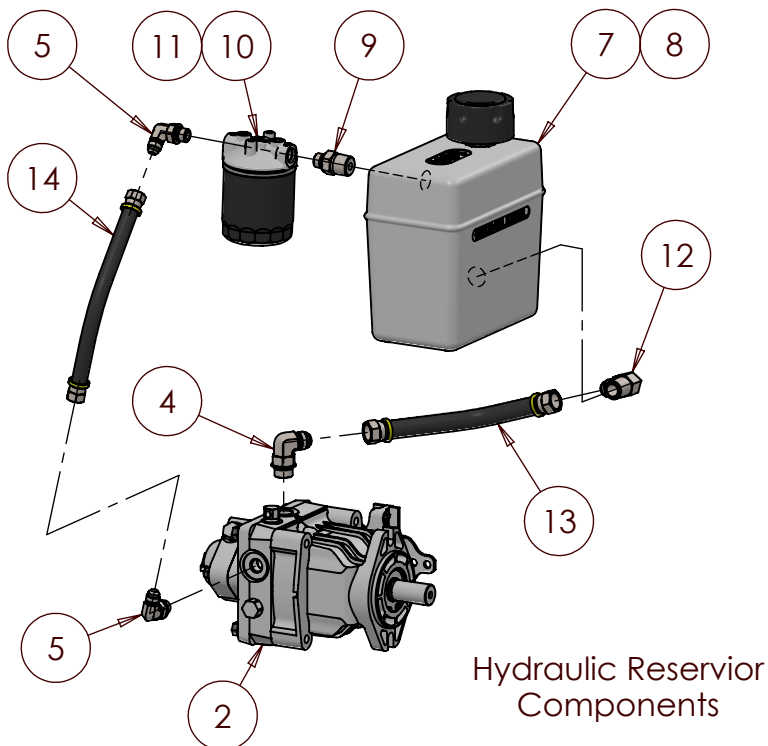


TR360 AND TR460 HYDRAULIC SYSTEM

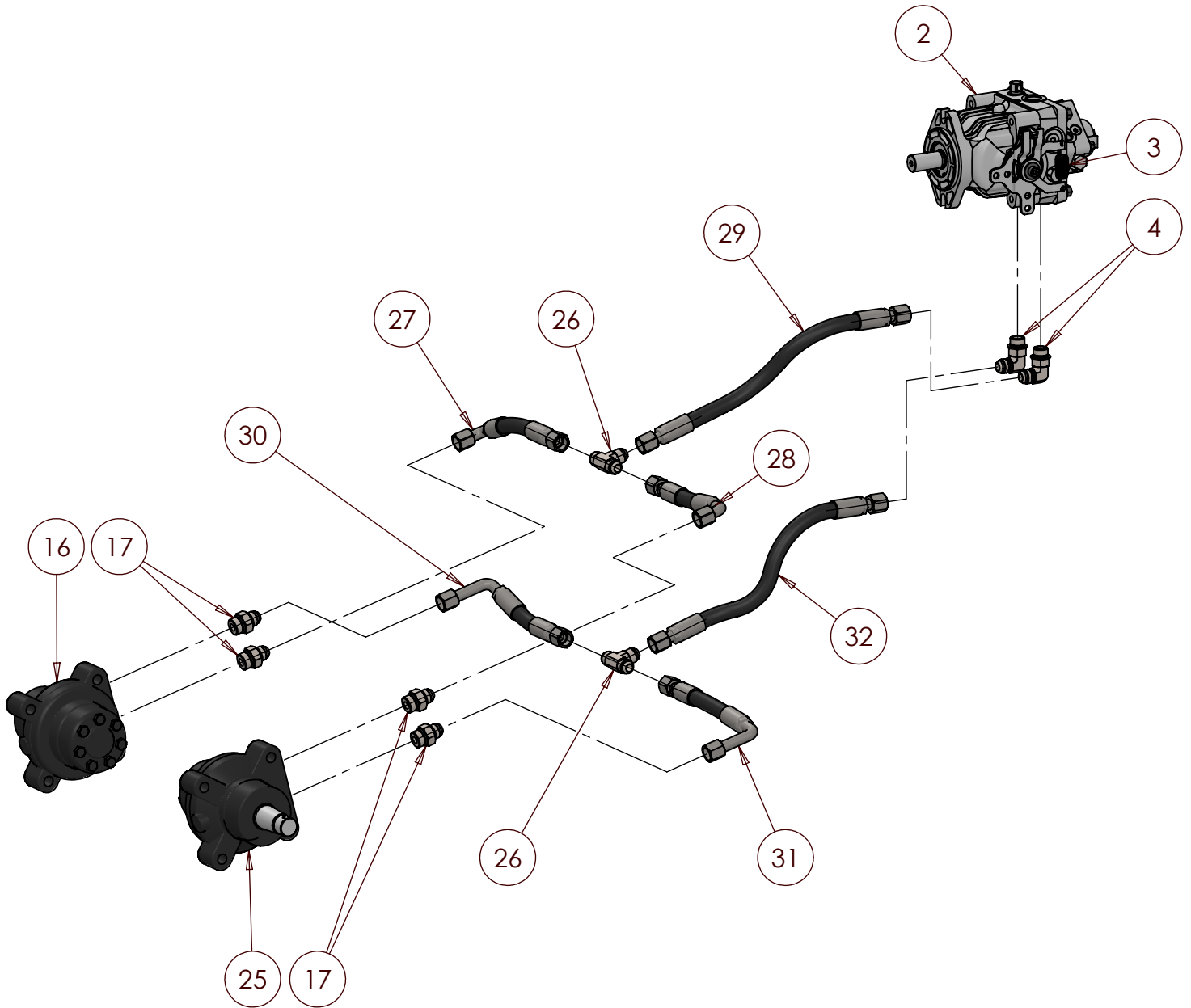


Impeller Drive Circuit



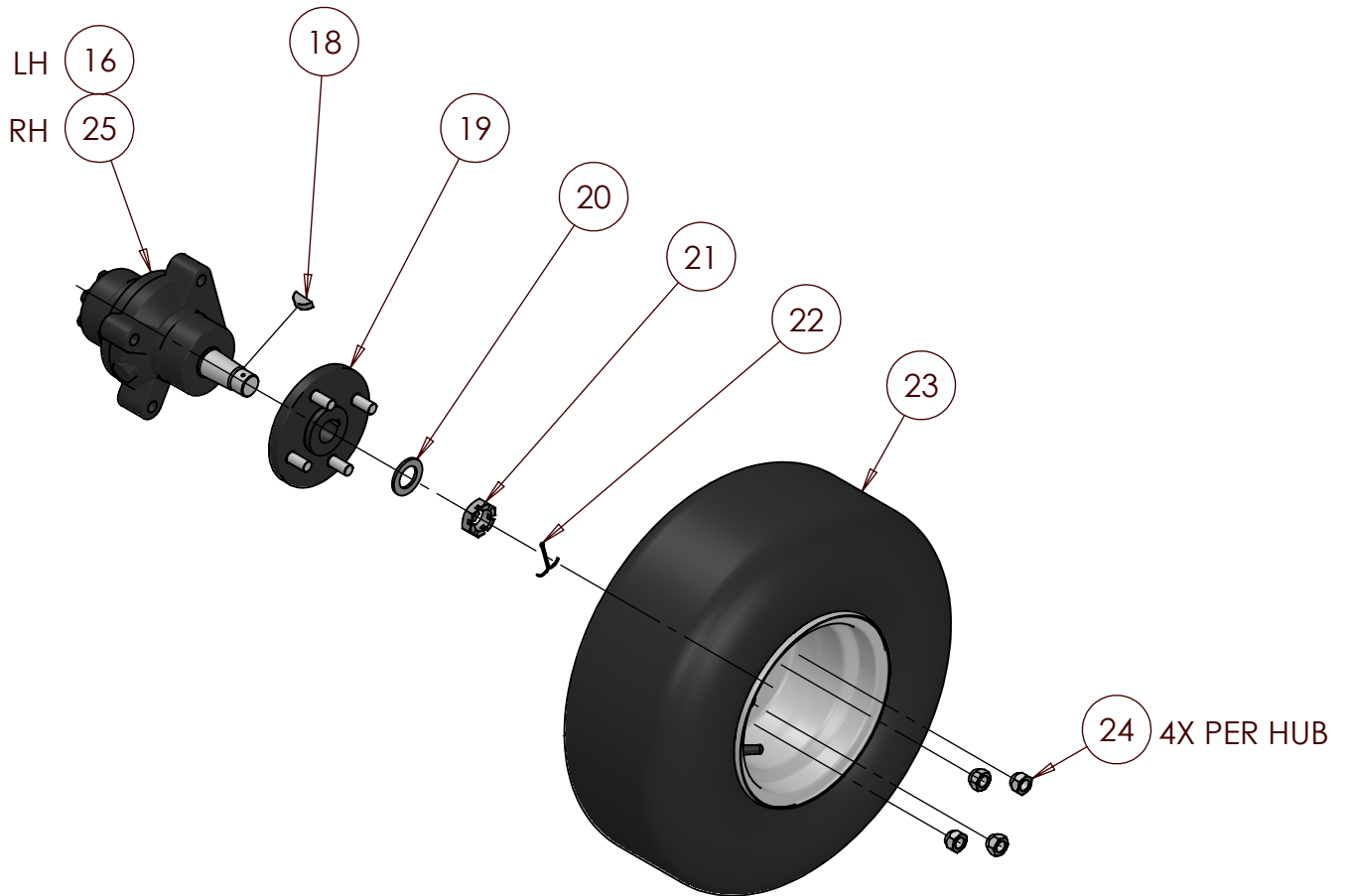
Hydraulic Reservoir Components

TR360 AND TR460 HYDRAULIC SYSTEM



Main Drive Circuit

TR360 AND TR460 HYDRAULIC SYSTEM



Rear Hub/Wheel Detail
(Typical LH & RH Hubs)

TR360 AND TR460 HYDRAULIC SYSTEM

| Item | Qty | Part Number | Description |
|------|-----|-------------|---|
| 1 | 1 | 3609003 | Assy, Impeller Motor w/Fittings |
| 1.1 | 1 | 3605010 | Hydraulic Impeller Motor |
| 1.2 | 1 | 3605051 | Adapter, 3/8" x 1/4" Flared, SST |
| 1.3 | 1 | 3605042 | Tee, 1/4" Flared x 3/8" x 1/4" Flared, SST |
| 2 | 1 | 3605006 | Hydro-Gear Drive w Aux Pump |
| 3 | 1 | 3609902 | Return Spring, Hydro-Gear (Black) |
| 4 | 3 | 3605058 | Elbow, 1/2" x 1/2" Flared, SST |
| 5 | 2 | 3605056 | Elbow, 3/8" x 3/8" Flared, SST |
| 6 | 2 | 3605062 | Adapter, 1/4" x 1/4" Flared, SST |
| 7 | 1 | 3609915 | Tank, Hydraulic Oil (V2) |
| 8 | 1 | 3605023 | Cap, Hydraulic Reservoir |
| 9 | 1 | 3605057 | Adapter, 1/2" NPT x 3/8" Hydraulic, SST |
| 10 | 1 | 3605025 | Filter Head, Hydraulic System |
| 11 | 1 | 3605024 | Spin-On Filter, Hydraulic System |
| 12 | 1 | 3605059 | Elbow, 1/2" NPT x 1/2" Flared, SST |
| 13 | 1 | XXXXXXX | Hose Assy, Hydro Pump Supply |
| 14 | 1 | XXXXXXX | Hose Assy, Hydro Pump Return |
| 15 | 1 | 3609005 | Assy, Control Valve, Impeller Speed |
| 15.1 | 1 | 3605020 | Control Valve, Impeller Speed |
| 15.2 | 1 | 3609108 | Cartridge, Impeller Speed Control Valve |
| 15.3 | 1 | 3605051 | Adapter, 3/8" x 1/4" Flared, SST |
| 15.4 | 2 | 3605050 | Elbow, 3/8" x 1/4" Flared, SST |
| 15.5 | 1 | 3605022 | Control Knob, Impeller Speed Valve |
| 16 | 1 | 3605015 | Wheel Motor (LH) Danfoss OMEW 160 CW |
| 17 | 4 | 3605052 | Adapter, 7/8" x 1/2" Flared, SST |
| 18 | 2 | 3609107 | Key, Rear Wheel Motor Shaft |
| 19 | 2 | XXXXXXX | Assy, Rear Wheel Hub |
| 20 | 2 | 3606025 | Spindle Washer, 1-11/16" OD, 1" Shaft |
| 21 | 2 | 3609106 | Castle Nut, Slotted, Rear Wheel Motor |
| 22 | 2 | 3606019 | Cotter Pin, 3/32" x 2" Lg |
| 23 | 2 | 3606032 | Tire Assy, 18 x 7.50-8, Super Turf Kenda K500 |
| 24 | 8 | 3606050 | Lug Nut, 1/2"-20, Zinc Pltd |
| 25 | 1 | 3605016 | Wheel Motor (RH) Danfoss OMEW 160 CCW |
| 26 | 2 | 3605053 | Tee, 1/2" x 1/2" x 1/2" Flared, SST |
| 27 | 1 | 3605060 | Hose Assy, 1/2" x 9" Lg, Short Elbow |
| 28 | 1 | 3605037 | Hose Assy, 1/2" x 7-1/2" Lg, Short Elbow |
| 29 | 1 | 3605061 | Hose Assy, 1/2" x 19-1/8" Lg |
| 30 | 1 | 3605032 | Assy, Wheel Motor Hose, 1/2" x 7-1/2" Lg, Long Elbow |
| 31 | 1 | 3605034 | Assy, Wheel Motor Hose, 1/2" x 9" Lg, Long Elbow |
| 32 | 1 | 3605030 | Hose Assy, 1/2" x 17-3/4" Lg |
| 33 | 1 | 3605036 | Hose Assy, 1/4" x 36" Lg (Aux Pump to Impeller Tee) |
| 34 | 1 | 3605040 | Hose Assy, 1/4" x 40" Lg (Aux Pump to Port #1) |
| 35 | 1 | 3605038 | Hose Assy, 1/4" x 50-1/2" Lg (Impeller Tee Branch to Port #2) |
| 36 | 1 | 3605047 | Hose Assy, 1/4" x 47-1/4" Lg (Impeller Conn to Port #3) |